

## Activity: Storage Units

### A. Why?

Storage units are the basic circuits that can maintain information from the past.

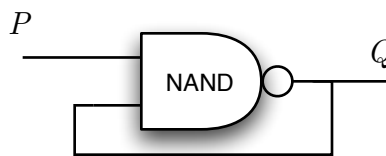
### B. Outcomes

By the end of the activity you should

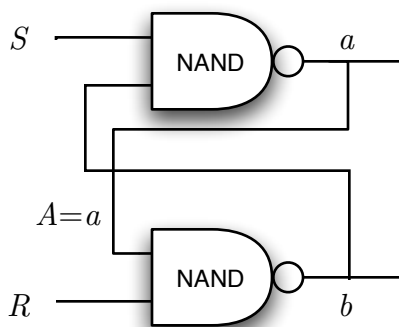
- Know that circuits may or may not have a stable logical state

### C. Questions

1. Does this circuit have a stable logical value when  $P = 0$ ? When  $P = 1$ ?



2. Suppose we have an R-S latch and somehow  $R = S = 0$ . What do you think happens if we change to  $R = 1$  (and keep  $S = 0$ )? What about the other way: change from  $R = S = 0$  to  $S = 1$  (and keep  $R = 0$ )?



An R-S Latch